

IGNITION ELECTRODES

IGE AND DSE SERIES

FEATURES

- Insulating part: ceramic
- Electrode: kantal/inconel
- H.T. cable connection: radial terminal
- Thread: $1/2" \div 3/4"$
- Spark potential: $5 \div 9000 \text{ V}$
- Double direct ignition spark voltage.



F5805101

DESCRIPTION

IGE and DSE ignition electrodes consist in a double direct ignition spark plug and insulation angle connector.

Various sizes are available depending on the connection size and on the electrode length. The 5805 ignition electrodes are designed for 5000 to 9000 volts ignition of industrial burners.

The ignition of an industrial burner should always be achieved at low fire.



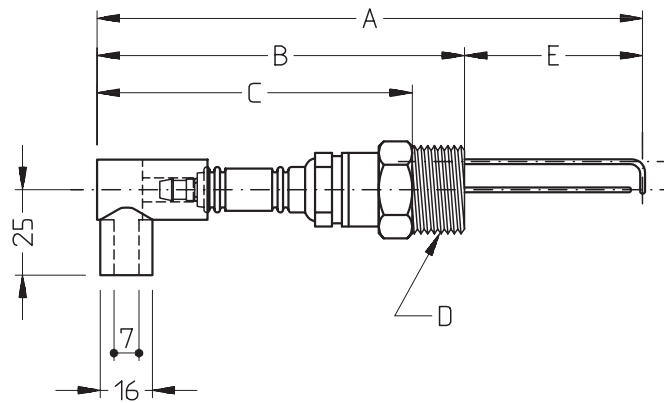
F5805102



Headquarters
Esa S.r.l.
Via E. Fermi 40 I-24035 Curno (BG) - Italy
Tel. +39.035.6227411 - Fax +39.035.6227499
esa@esacombustion.it - www.esapyronics.com

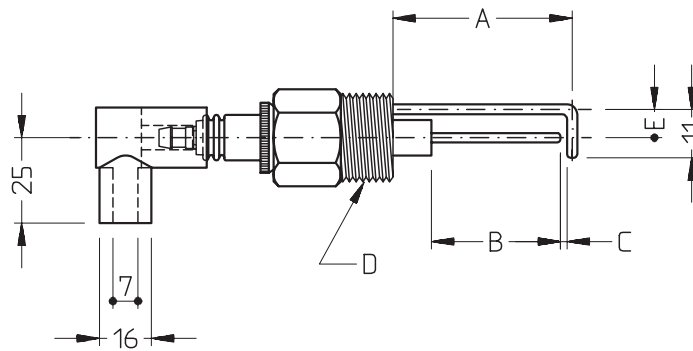
International Sales
Pyronics International S.A./N.V.
Zoning Ind., 4ème rue B-6040 Jumet - Belgium
Tel +32.71.256970 - Fax +32.71.256979
marketing@pyronics.be

DIMENSIONS



Style A

DS805101



Style B

DS805102

| Catalog no. | A mm | B mm | C mm | ø D | E mm | Style |
|-------------|------|------|------|----------|------|-------|
| 4 IGE | 125 | 102 | 87 | G - 1/2" | 23 | A |
| 6 IGE | 125 | 95 | 76 | G - 3/4" | 30 | A |
| DSE 0 | 165 | 152 | // | G - 3/4" | // | B |
| DSE 1 | 54 | 38 | 1.5 | G - 3/4" | 7.5 | B |
| DSE 2 | 105 | 90 | 1.5 | G - 3/4" | 7.5 | B |
| DSE 3 | 30 | 14 | 1.5 | G - 3/4" | 7.5 | B |
| DSE 4 | 280 | 263 | 1.5 | G - 3/4" | 7.5 | B |
| DSE 5 | 73 | 57 | 1.5 | G - 3/4" | 7.5 | B |
| DSE 6 | 64 | 48 | 1.5 | G - 3/4" | 7.5 | B |
| DSE 7 | 99 | 83 | 1.5 | G - 3/4" | 7.5 | B |
| DSE 8 | 133 | 117 | 1.5 | G - 3/4" | 7.5 | B |

NOTE: Based on the company's policy aimed at a continuous improvement on product quality, ESA-PYRONICS reserves the right to bring changes to the technical characteristics of this device without previous notice. Our catalog updated to the latest version is available on our web site www.esapyronics.com and it is possible to download modified documents

WARNING: When operating, this combustion system can be dangerous and cause harm to persons or damage to equipment. Every burner must be provided with a protection device that monitors the combustion. The installation, adjustment and maintenance operations should only be performed by trained and qualified personnel.