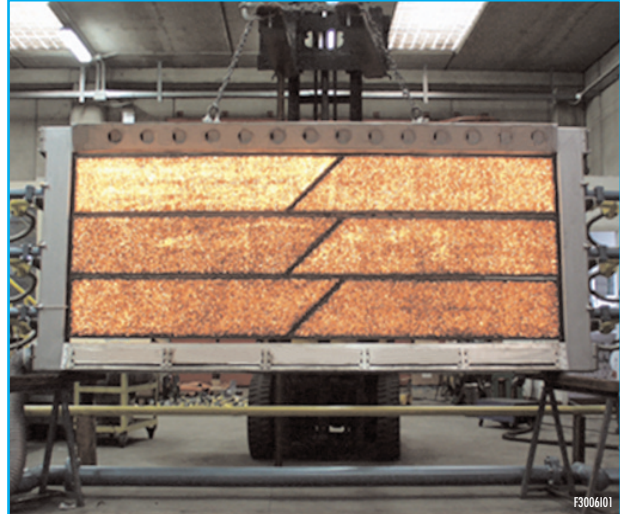


INFRA-RED BURNERS SHELL-TEC SERIES

FEATURES

- Burner body: iron
- Metallic fibre: refractory steel alloy
- Max. oper. temp. of metallic fibre: 1,150°C
- Low gas and air pressure at the burner: 40 mbar
- Relative capacity with radiant flame: 300 kW/m²
- Relative capacity with traditional flame: 500 kW/m²
- Adequate to different types of gas: CH₄/L.P./propane/etc.
- Mixer to be adjusted to the capacity required.
- Wide turndown range.
- High excess air.
- High efficiency.



F3006101

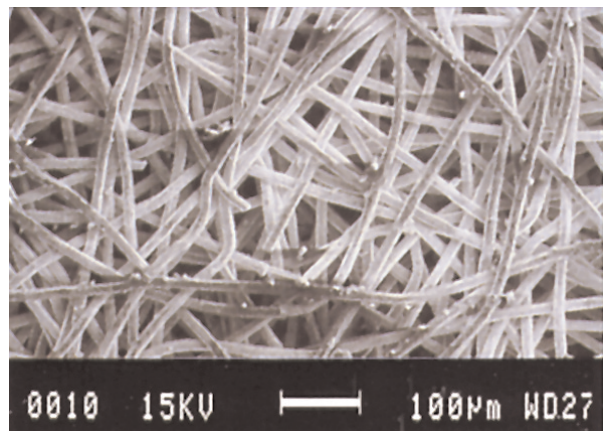
APPLICATIONS

- Paper drying.
- Heat treat of fabric, glass, rubber and resin.
- Billets heating.
- Foodstuff ovens.

DESCRIPTION

SHELL-TEC radiant panels are made in a special refractory steel, metallic fibre created by SHELL whose average permeability stands at 22×10^{-6} mm. This type of burners are highly resistant to high temperatures. The particular shape of the burner ensures an infra-red or direct flame heating according to the surface temperature of the panel and of the mixture pressure.

The burner is built to order; big or small surfaces may be obtained according to the customer's need.



F3006102



Headquarters
Esa S.r.l.
Via E. Fermi 40 I-24035 Curno (BG) - Italy
Tel. +39.035.6227411 - Fax +39.035.6227499
esa@esacombustion.it - www.esapyronics.com

International Sales
Pyronics International S.A./N.V.
Zoning Ind., 4ème rue B-6040 Jumet - Belgium
Tel +32.71.256970 - Fax +32.71.256979
marketing@pyronics.be

INSTALLATION

SHELL-TEC burners may be mounted to operate in any position. Flexible connectors may be used for air and gas connections.

Pressure drop in the mixture manifold to the burner must be kept lower than 2.5 mbar.

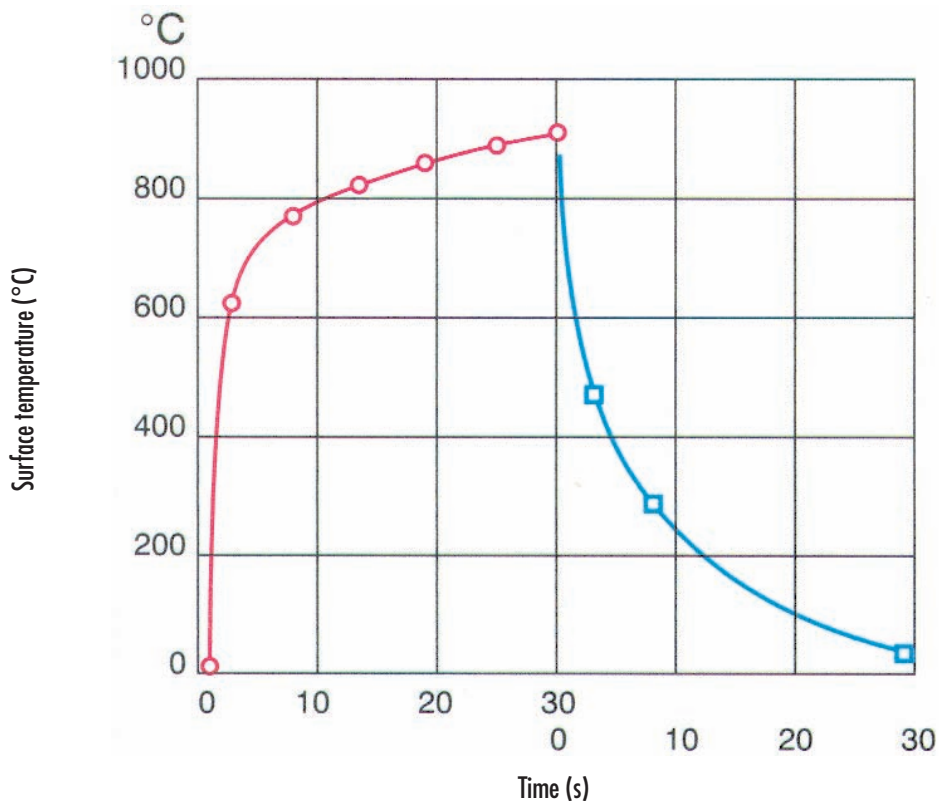
IGNITION AND FLAME DETECTION

Firing of SHELL-TEC burners is done through a Wand electrode. No richer mixture is needed when lighting the burner because spreading

of the flame is ensured by net structure. Flame detection through a Wand electrode.

Catalog No.	Pilot burner ignition		Electrode ignition	
	Ignition	Detection	Ignition	Detection
SHELL-TEC	(Not available)	(Not available)	Wand	Wand

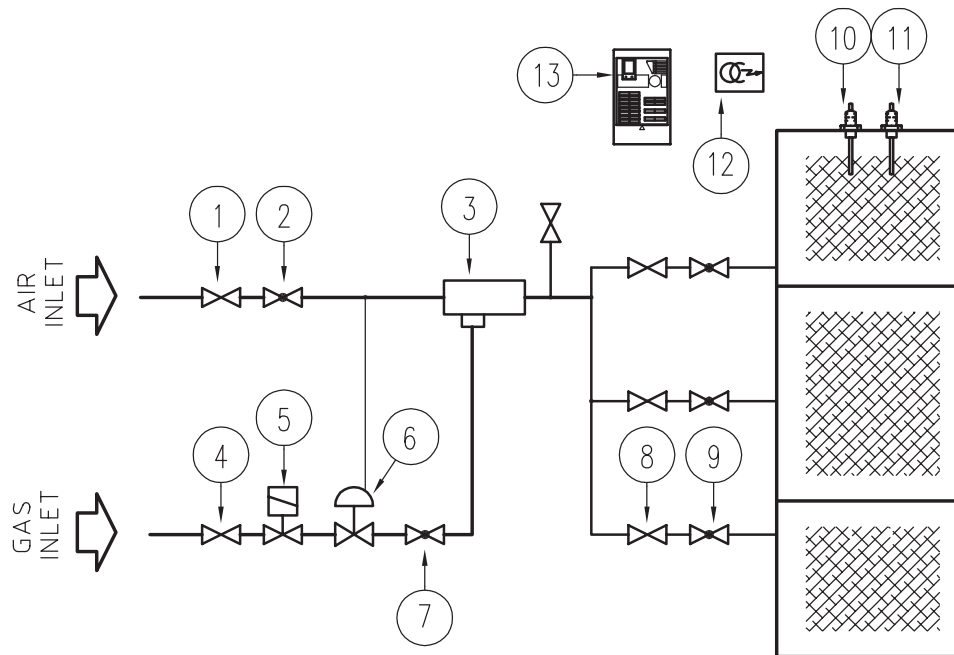
TEMPERATURE CHART



G3006101

N.B. The values listed in the above chart are correct when the air blower is operated on a continuous basis.

FLOW CHART



Pos.	Model identification
1	Air ball valve
2	Air throttle orifice
3	Venturi mixer
4	Gas ball valve
5	Safety solenoid valve
6	Gas regulator
7	Gas throttle orifice
8	Mixture ball valve
9	Mixture throttle valve
10	Spark electrode
11	Flame rod
12	Ignition transformer
13	Flame detection

D3006101