

“ADAPTO” PIPE FLANGES

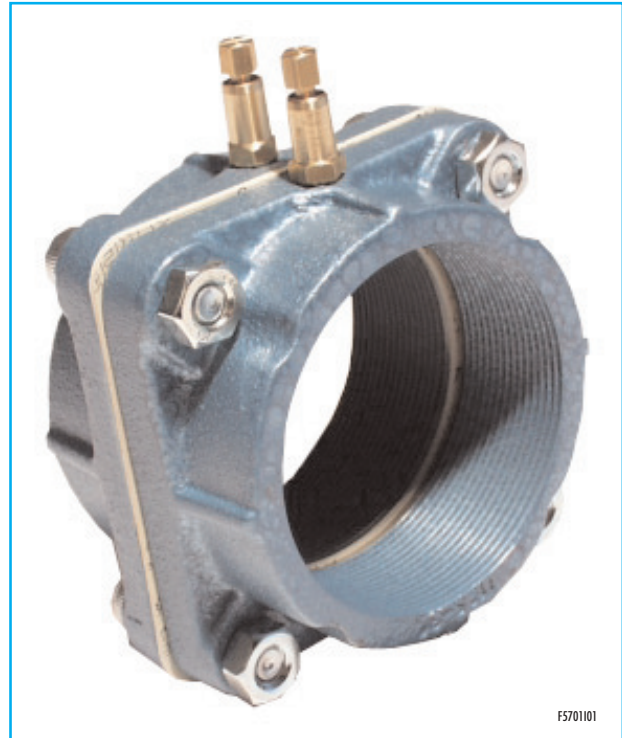
PFP AND PSP SERIES

FEATURES

- | | |
|----------------------------|---------------|
| • Threaded flanges: | cast iron G20 |
| • Welding flanges: | Fe42 |
| • Max. operating pressure: | 3.5 bar |
| • Gasket | AFM 20 |

APPLICATIONS

- Connection of different equipments.
- Connections where checking pressure is necessary.

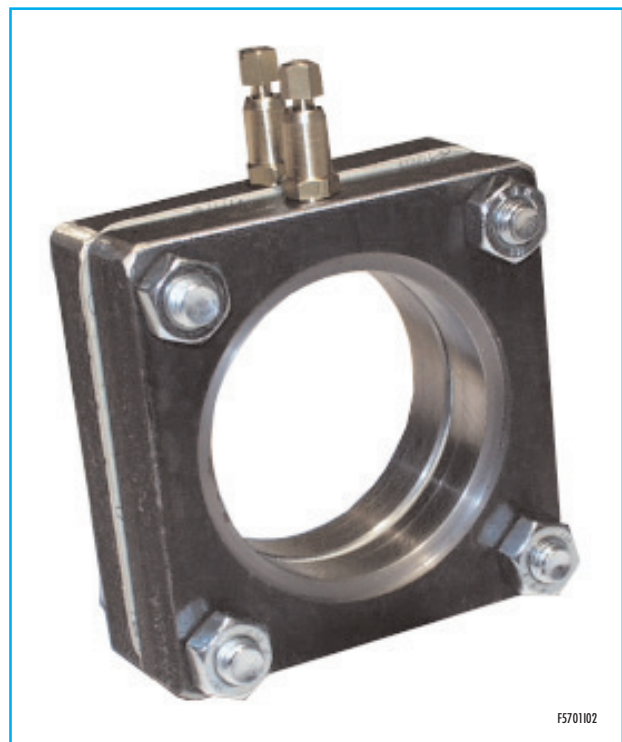


E570101

DESCRIPTION

“Adapto” pipe flanges are made to fit standard pipe in sizes from 3/4” pipe to 6” pipe. Though made of cast iron, they are relatively light-weighted. The flange faces are ground and when used with the gaskets furnished, make a satisfactorily tight connection even if opened many times. Each flange has one 1/8” pipe tap hole to permit checking pressures easily and quickly. The holes are plugged with 1/8” slotted head plugs. Using flanges make installation of auxiliary equipment easier.

“Adapto” flanges are available either singly or in pairs. When ordered in pairs each pair of flanges is supplied complete with gasket and four bolts and nuts.



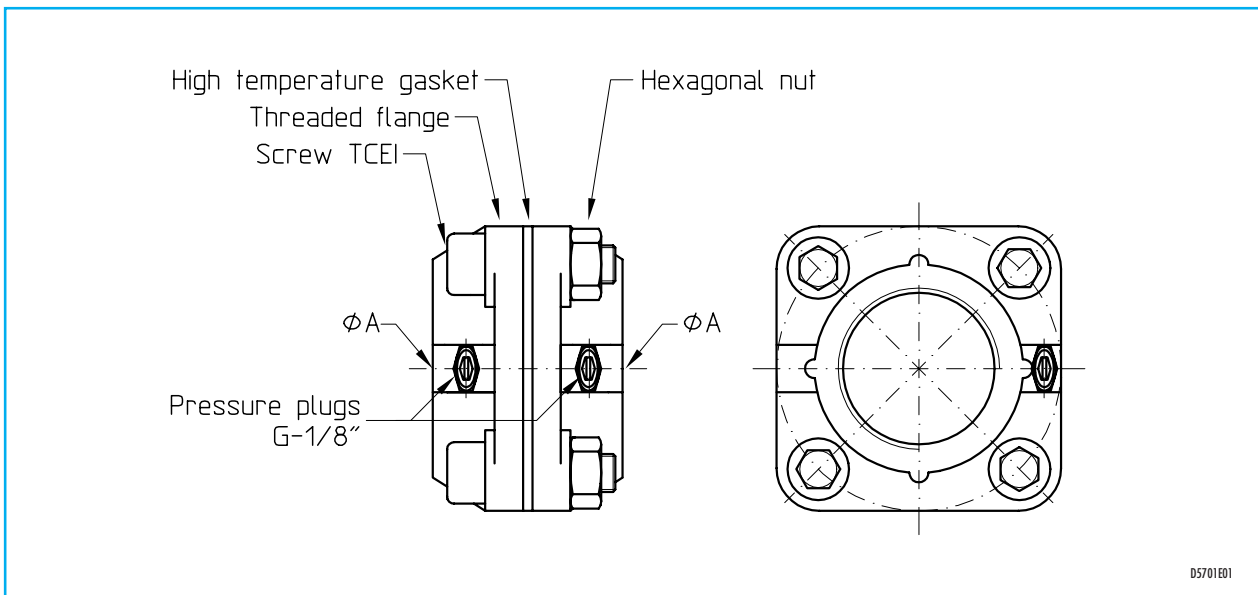
E570102



Headquarters
Esa S.r.l.
Via E. Fermi 40 I-24035 Curno (BG) - Italy
Tel. +39.035.6227411 - Fax +39.035.6227499
esa@esacombustion.it - www.esapyronics.com

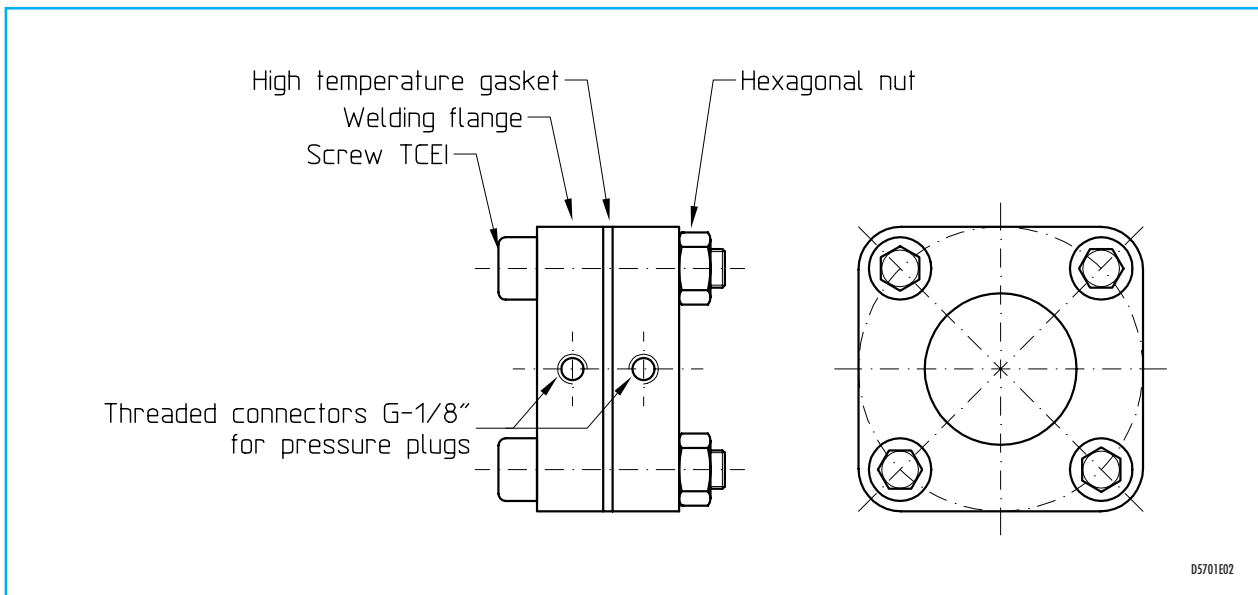
International Sales
Pyronics International S.A./N.V.
Zoning Ind., 4ème rue B-6040 Jumet - Belgium
Tel +32.71.256970 - Fax +32.71.256979
marketing@pyronics.be

THREADED FLANGED IN PAIRS



Catalog no.	Pipe size ϕA	Gasket
6 PFP	G - 3/4"	C3218/1
68 PFP	G - 3/4" x G - 1"	C3218/1
8 PFP	G - 1"	C3218/1
10 PFP	G - 1.1/4"	C3218/2
1012 PFP	G - 1.1/4" x G - 1.1/2"	C3218/2
12 PFP	G - 1.1/2"	C3218/2
16 PFP	G - 2"	C3218/3
20 PFP	G - 2.1/2"	C3218/4
2024 PFP	G - 2.1/2" x G - 3"	C3218/4
24 PFP	G - 3"	C3218/5

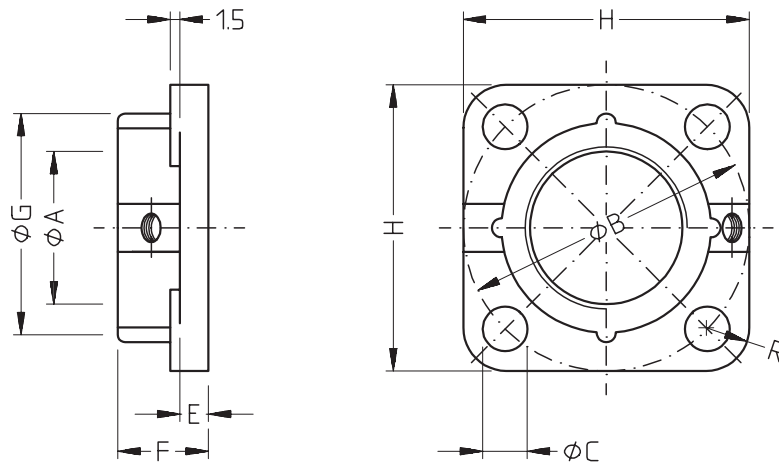
WELDING FLANGES IN PAIRS



D5701E02

Catalog no.	Pipe size $\varnothing A$	Gasket
6 PSP	3/4"	C3218/1
68 PSP	3/4" x 1"	C3218/1
8 PSP	1"	C3218/1
10 PSP	1.1/4"	C3218/2
1012 PSP	1.1/4" x 1.1/2"	C3218/2
12 PSP	1.1/2"	C3218/2
16 PSP	2"	C3218/3
20 PSP	2.1/2"	C3218/4
2024 PSP	2.1/2" x 3"	C3218/4
24 PSP	3"	C3218/5
32 PSP	4"	C3218/6
48 PSP	6"	C3218/7

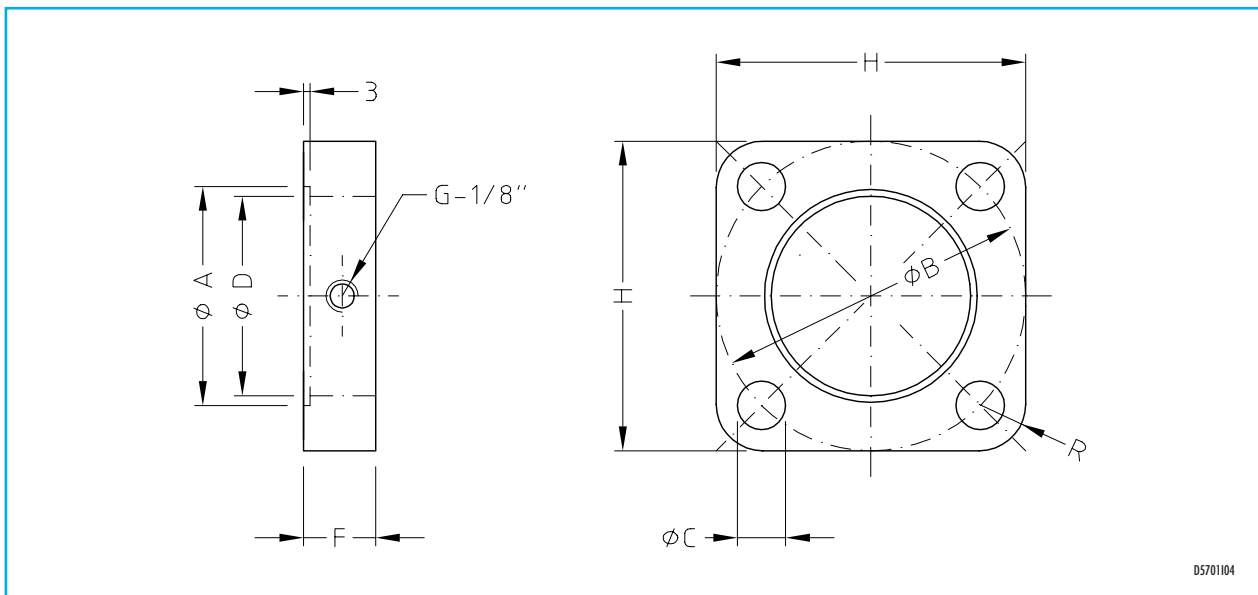
THREADED FLANGES DIMENSIONS



D5701103

Catalog no.	ϕA	ϕB mm	ϕC mm	E mm	F mm	ϕG mm	H mm	R mm	Mass PF kg
104 PF	G - 1/2"	60.3	9	6.4	20	45	58.7	8	0.25
106 PF	G - 3/4"	60.3	9	6.4	20	45	58.7	8	0.2
108 PF	G - 1"	60.3	9	6.4	20	45	58.7	8	0.15
310 PF	G - 1.1/4"	81	11	8	30.5	62	76.2	9.5	0.5
312 PF	G - 1.1/2"	81	11	8	30.5	62	76.2	9.5	0.45
416 PF	G - 2"	96.8	11	8	30.5	76	87.3	11	0.6
412 PF	G - 1.1/2"	96.8	11	9.5	32	63	89	10.5	0.7
520 PF	G - 2.1/2"	111.1	11	11	32	89	101.6	11	0.8
620 PF	G - 2.1/2"	123.8	11	13	38	103	111.1	12	1.5
624 PF	G - 3"	123.8	11	13	38	103	111.1	14	1

WELDING FLANGES DIMENSIONS



D5701104

Catalog no.	Pipe size ϕ	ϕA mm	ϕB mm	ϕC mm	ϕD mm	F mm	H mm	R mm	Mass PFF kg
104 PFF	1/2"	22	60.3	9	17	18	60	5	0.405
106 PFF	3/4"	28	60.3	9	22	18	60	5	0.4
108 PFF	1"	34	60.3	9	28	18	60	5	0.35
310 PFF	1.1/4"	43	81	12	37	18	80	5	0.6
312 PFF	1.1/2"	49	81	12	42	18	80	5	0.5
416 PFF	2"	61	96.8	12	53	18	90	5	0.7
520 PFF	2.1/2"	77	111.1	12	68	18	100	5	0.8
624 PFF	3"	90	123.8	13	80	18	110	5	0.9
732 PFF	4"	115	168.1	14	106	18	150	5	1.8
848 PFF	6"	170	235	14	157	18	200	5	2.75