

PILOT REGULATORS MAXITROL SERIES

FEATURES

- Body: aluminium
- Max. operating pressure: 70 mbar
- Operating temperature: $-40 \div +90^{\circ}\text{C}$
- Outlet pressure: $-2.5 \div 3.8\text{ mbar}$
- Accuracy: $\pm 0.5\text{ mbar}$

APPLICATIONS

- All ESA-PYRONICS pilot burners.
- Low combustible fuel capacity burners.

DESCRIPTION

These pilot regulators feature double diaphragm balanced valve construction in addition to the rubber ringed valve. The high quality molded balancing diaphragm eliminates the inlet pressure effect acting upon the valve, and results in a superior performance over the full flow range.

The regulator housing is of two pieces rugged die cast aluminium construction. No copper bearing alloys are employed in the flow stream. All internal parts are carefully selected and corrosion resistant. The diaphragms are made from suitable fabrics, impregnated with Viton to give greatest flexibility with maximum strength.

Maxitrol pilot regulators are equipped with a counter spring for zero regulator use. It is designed to operate as a zero regulator in the normal upright position.



F5291101



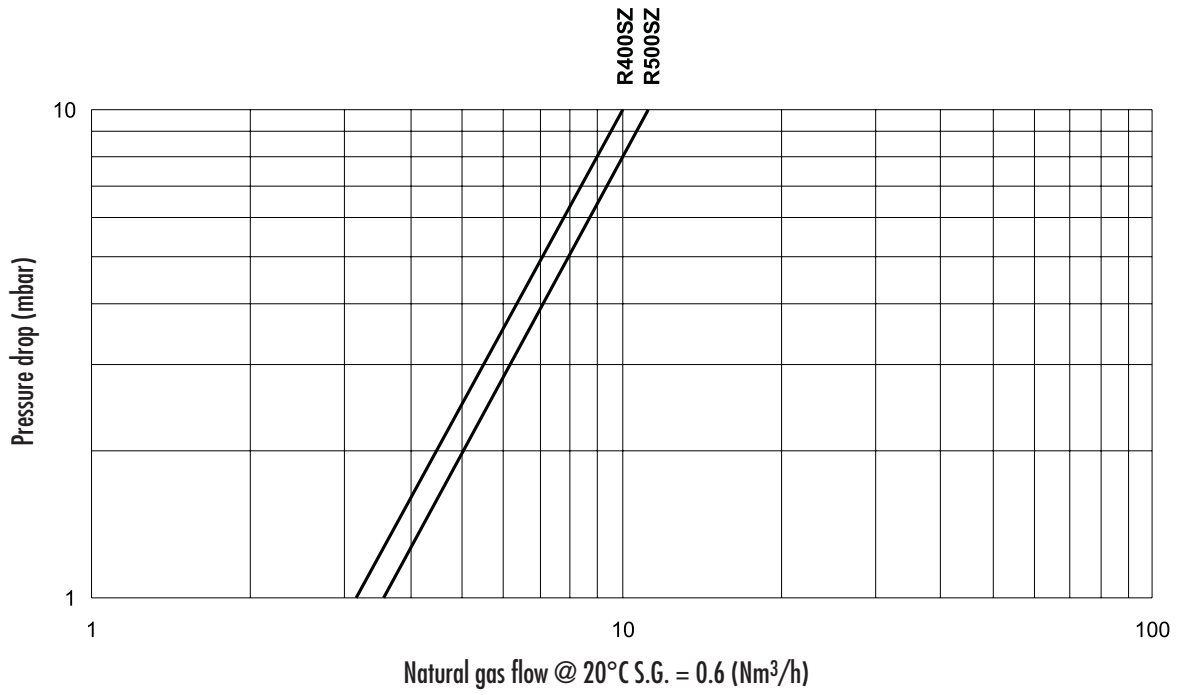
F5291102



Headquarters
Esa S.r.l.
Via E. Fermi 40 I-24035 Curno (BG) - Italy
Tel. +39.035.6227411 - Fax +39.035.6227499
esa@esacombustion.it - www.esapyronics.com

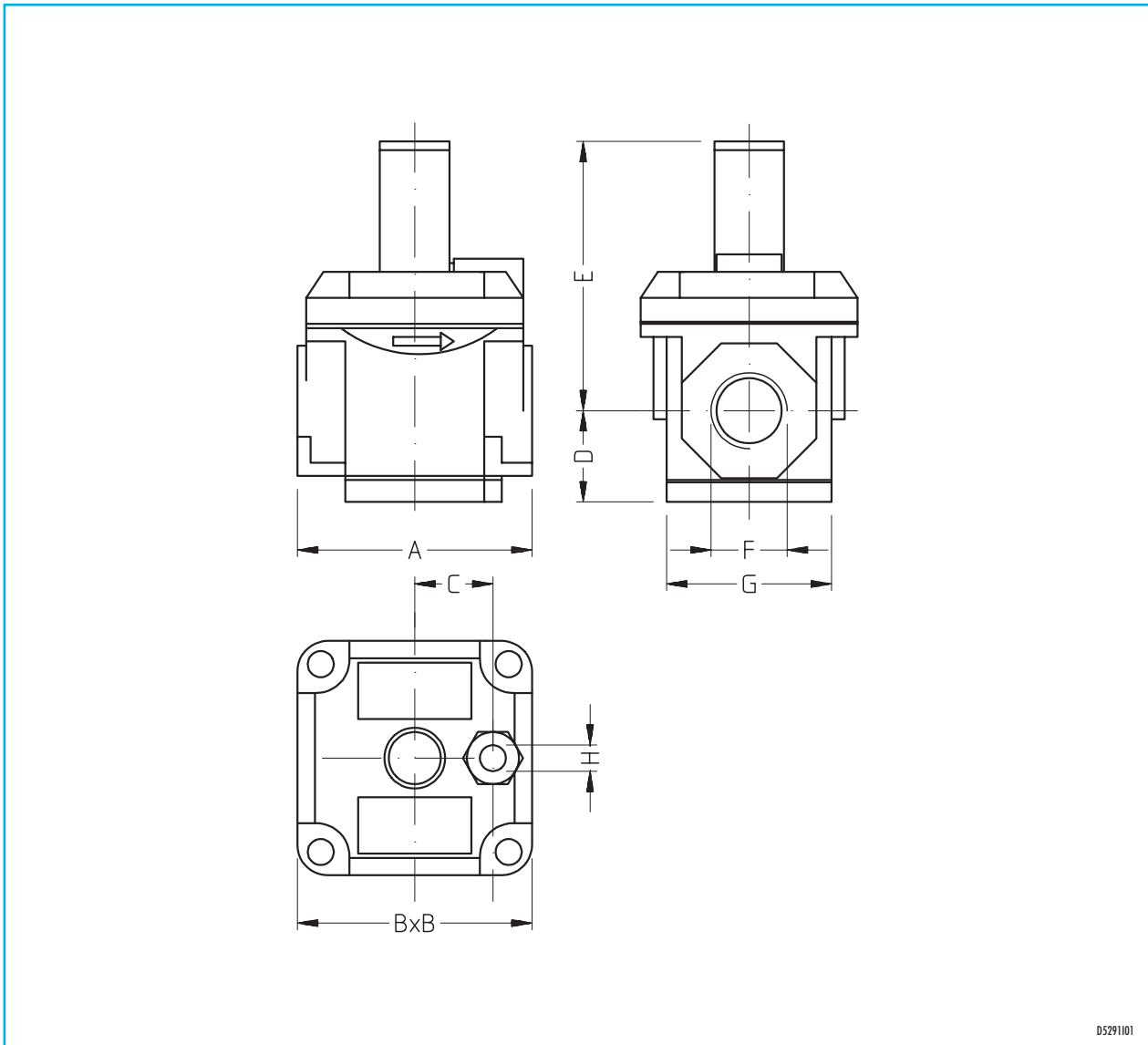
International Sales
Pyronics International S.A./N.V.
Zoning Ind., 4ème rue B-6040 Jumet - Belgium
Tel +32.71.256970 - Fax +32.71.256979
marketing@pyronics.be

CAPACITY TABLE



65291101

DIMENSIONS



05291101

Catalog no.	A mm	B mm	C mm	D mm	E mm	ø F	G mm	ø H
R 500 SZ	84	83	29	28	91	1/2"	50	1/8"
R 400 SZ	54	52	18	21	60	3/8"	38	1/8"