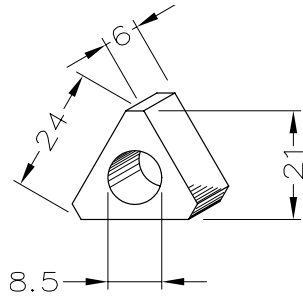
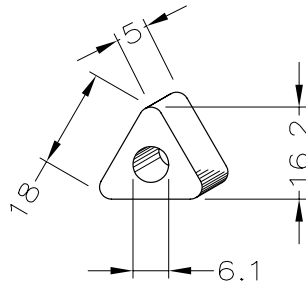


INSULATING CERAMIC

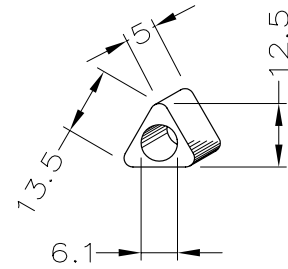
COUPLING INSULATING TRIANGULAR SPACERS



MOD. IS-2
COD. 73831



MOD. IS-8
COD. 11919

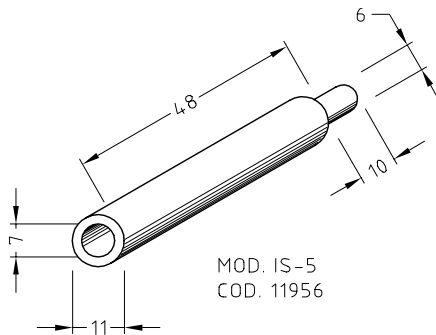


MOD. IS-9
COD. 11920

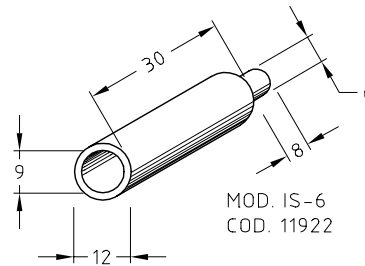
Material: Alumina

D500001

SIMPLE OR COUPLING INSULATING SPACERS

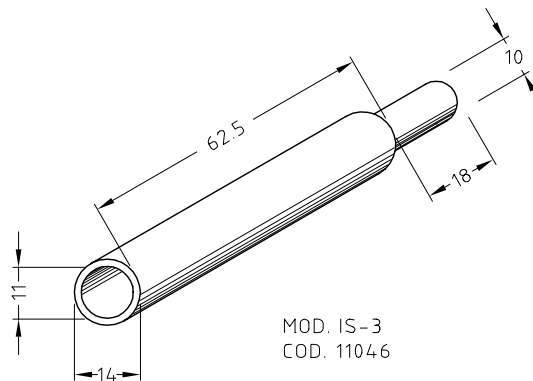


MOD. IS-5
COD. 11956



MOD. IS-6
COD. 11922

Catalog no.	internal \varnothing mm
IS-3	4,5
IS-5	3,5
IS-6	3,5



MOD. IS-3
COD. 11046

D500002



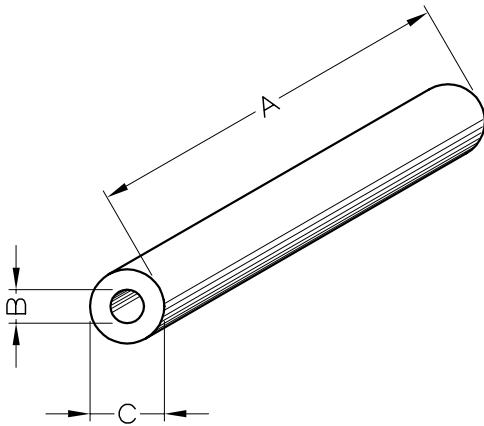
Headquarters

Esa S.r.l.
Via E. Fermi 40 I-24035 Curno (BG) - Italy
Tel. +39.035.6227411 - Fax +39.035.6227499
esa@esacombustion.it - www.esapyronics.com

International Sales

Pyronics International S.A./N.V.
Zoning Ind., 4ème rue B-6040 Jumet - Belgium
Tel +32.71.256970 - Fax +32.71.256979
marketing@pyronics.be

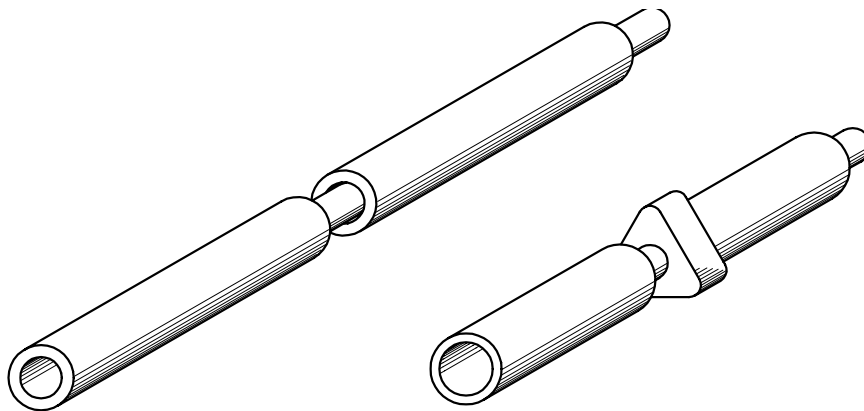
INSULATING SPACERS



Catalog no.	A mm	ø B mm	ø C mm	Code
IS - 1	60	3.5	8	73830
IS - 4	50	4.5	10	73832
IS - 10	220	3.5	6.5	74257
IS - 11	300	3	8	12709

D5000103

INSULATING SPACERS



D5000104