

WAFFER VALVES

“WAFFER” WBV AND WBV-CMAP SERIES

FEATURES

Features of the butterfly valve:

- Valve body: cast iron
- Valve seat: cast iron
- Seat disc: AISI 304 or AISI 316
- Butterfly valve stem: AISI 304 or AISI 316
- Max. operating pressure: 210 mbar
- Max. fluid temperature with device: AISI 304 450°C
- Max. fluid temperature with device: AISI 316 600°C
- Leakage: $\pm 2\%$

Features of the electric control MOD. ECON-O:

- Voltage: 24/115/230+10%-15% 50/60Hz
- Proportional control signal on request: 0÷10V, 4÷20 mA
(only for ECON-O 24V model)
- Power consumption: 4VA
- No. 2 auxiliary micro switches: 5A/250Vac
- Electrical protection: IP54
- Connections: No. 2 cable entries PG13.5
- Angle of rotation: 90°
- 90° rotation time: 7 to 120 s (aver. 60 s)
- Maximum operating temperature: -10°C to +60°C
- Rated torques available: 4Nm, 7Nm, 15Nm, 20Nm (aver. 20Nm)
- Housing: die cast aluminium
- Drive shaft: 9.5 mm
- Potentiometers available: 150 Ohm, 1000 Ohm, 2500 Ohm
(standard No. 1 1000 Ohm)
- Mass: 2.5 kg
- Operating position: any



F135101



F135102

DESCRIPTION

The BV-CMAP series is a range of modulating butterfly valves, specifically designed for the control of low pressure air supplies. Both manual and electrical operation is available. The internal plate position is indicated by a pointer on the valve crank arm. This can be set by using two mechanical limit stops. The outlet pressure can be checked at the 1/8" BSP test point.

Note: The limit switches of the Modulating Motors are supplied

factory set. It is advisable to check these limits during plant commissioning and reset if necessary.

APPLICATIONS

- Air adjuster in industrial processes.
- Flow shutter.
- Available for DN10 PN10 to DN400 PN10 conduits.



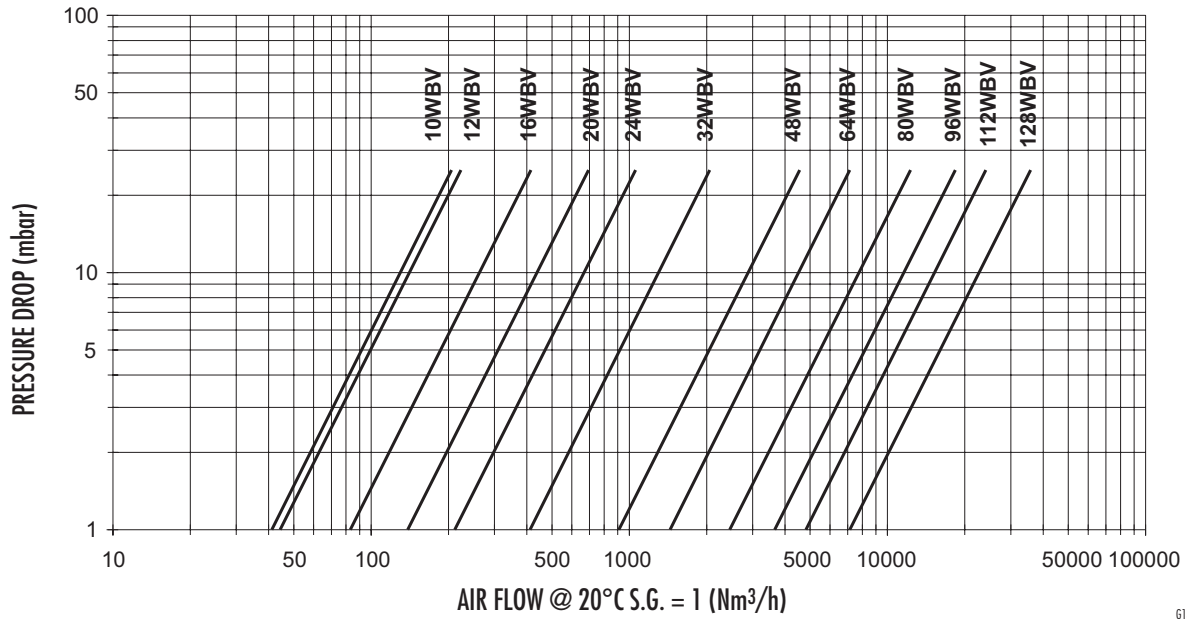
Headquarters
Esa S.r.l.
Via E. Fermi 40 I-24035 Curno (BG) - Italy
Tel. +39.035.6227411 - Fax +39.035.6227499
esa@esacombustion.it - www.esapyronics.com

International Sales
Pyronics International S.A./N.V.
Zoning Ind., 4ème rue B-6040 Jumet - Belgium
Tel +32.71.256970 - Fax +32.71.256979
marketing@pyronics.be

INSTALLATION

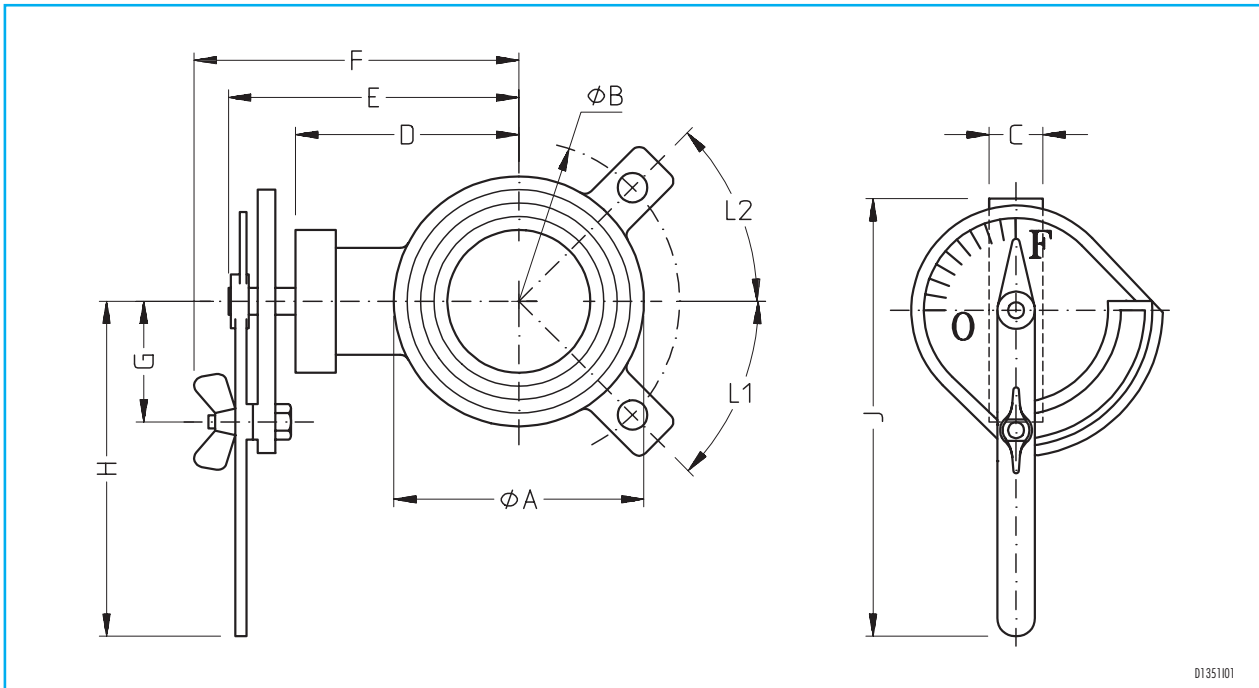
- Butterfly valve may be mounted in any plane (Note: Adhere to Mod. Motor manufactures operating instructions on electrical versions).
- It is recommended that the butterfly valve is mounted down stream of any measuring device.
- If the valve is electrically controlled respect the maximum pressure limits.
- Flanged design makes installation easier.
- Robust design ensures extended operation in extreme conditions.

CAPACITY TABLE



61351101

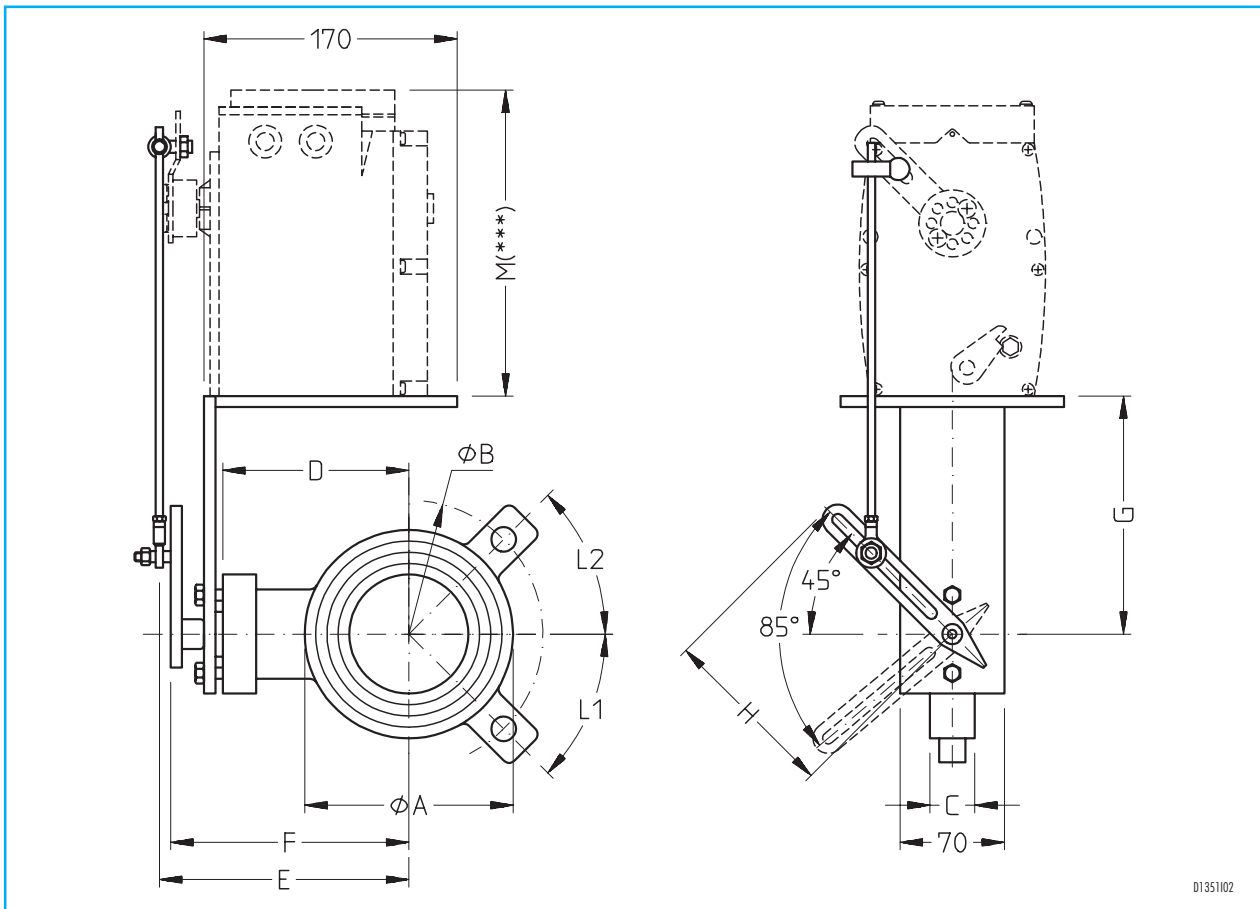
DIMENSIONS



D1351/01

Catalog no.	Pipe size	DN	A dia.	B dia.	C mm	D mm	E mm	F mm	G mm	H mm	L1 deg.	L2 deg.	J	Mass kg
10 WBV	1.1/4"	32	60	100	25	65	90	110	51	130	45	45	180	1.2
12 WBV	1.1/2"	40	90	110	25	90	115	135	51	130	45	45	180	1.3
16 WBV	2"	50	90	125	25	90	120	140	51	130	45	45	180	1.5
20 WBV	2.1/2"	65	120	145	25	90	135	160	51	130	45	45	180	2.0
24 WBV	3"	80	120	160	25	115	145	165	51	130	45	45	180	3.0
32 WBV	4"	100	140	180	30	125	172	185	67	187	45	45	250	3.7
40 WBV	5"	125	165	210	33	150	185	210	67	187	67.5	112.5	250	4.6
48 WBV	6"	150	195	240	33	145	180	205	57	187	67.5	112.5	250	4.9
56 WBV	7"	175	220	270	33	158	195	210	67	187	67.5	112.5	250	4.9
64 WBV	8"	200	250	295	40	180	215	240	67	187	67.5	112.5	250	8.1
80 WBV	10"	250	300	350	45	205	240	260	67	187	75	105	250	11.4
96 WBV	12"	300	360	400	47	240	280	295	67	187	75	105	250	12.0
112 WBV	14"	350	410	460	55	265	310	320	90	300	105	75	380	—
128 WBV	16"	400	460	515	55	295	335	350	90	300	101.25	78.75	380	—

DIMENSIONS

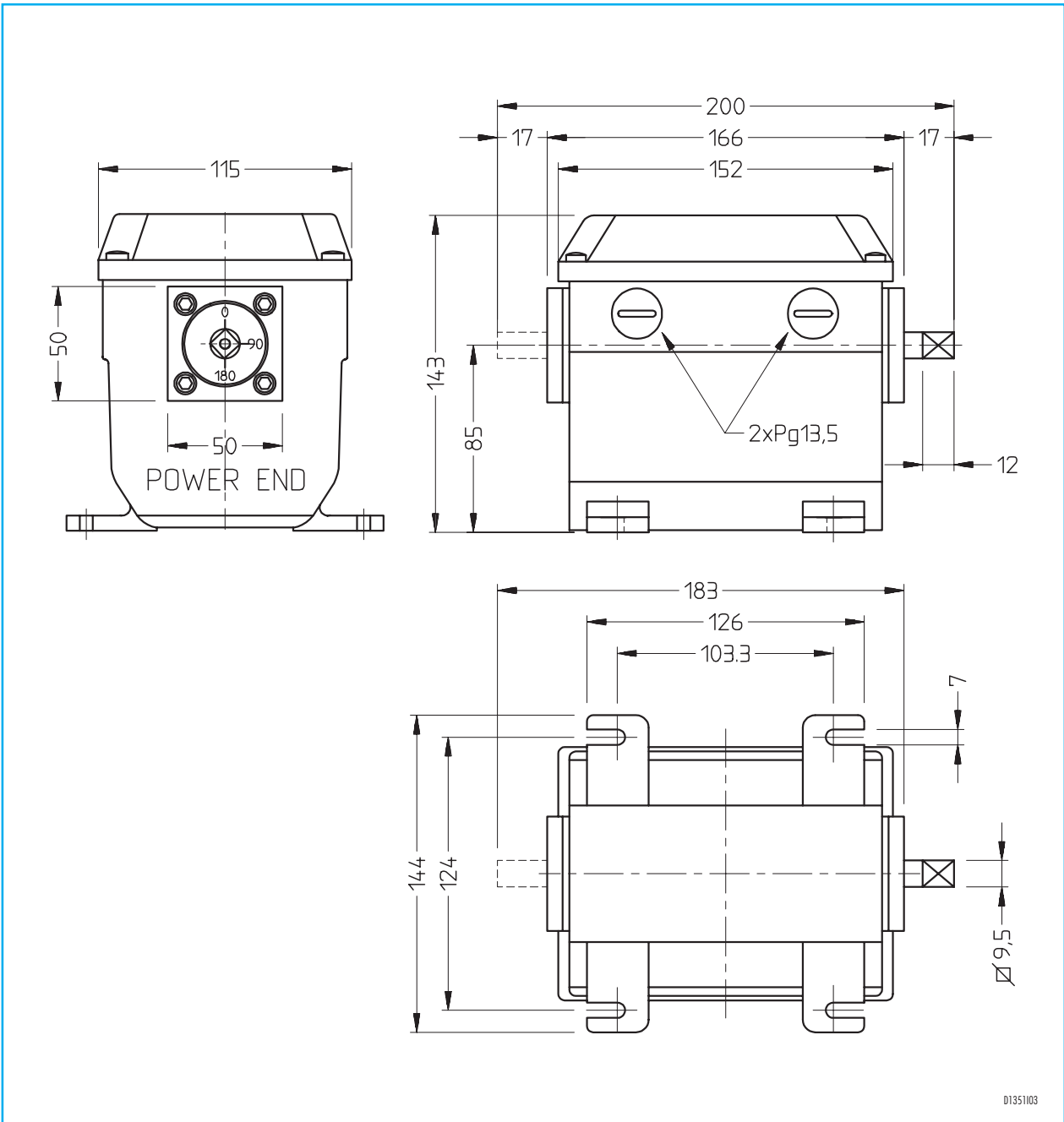


D1351102

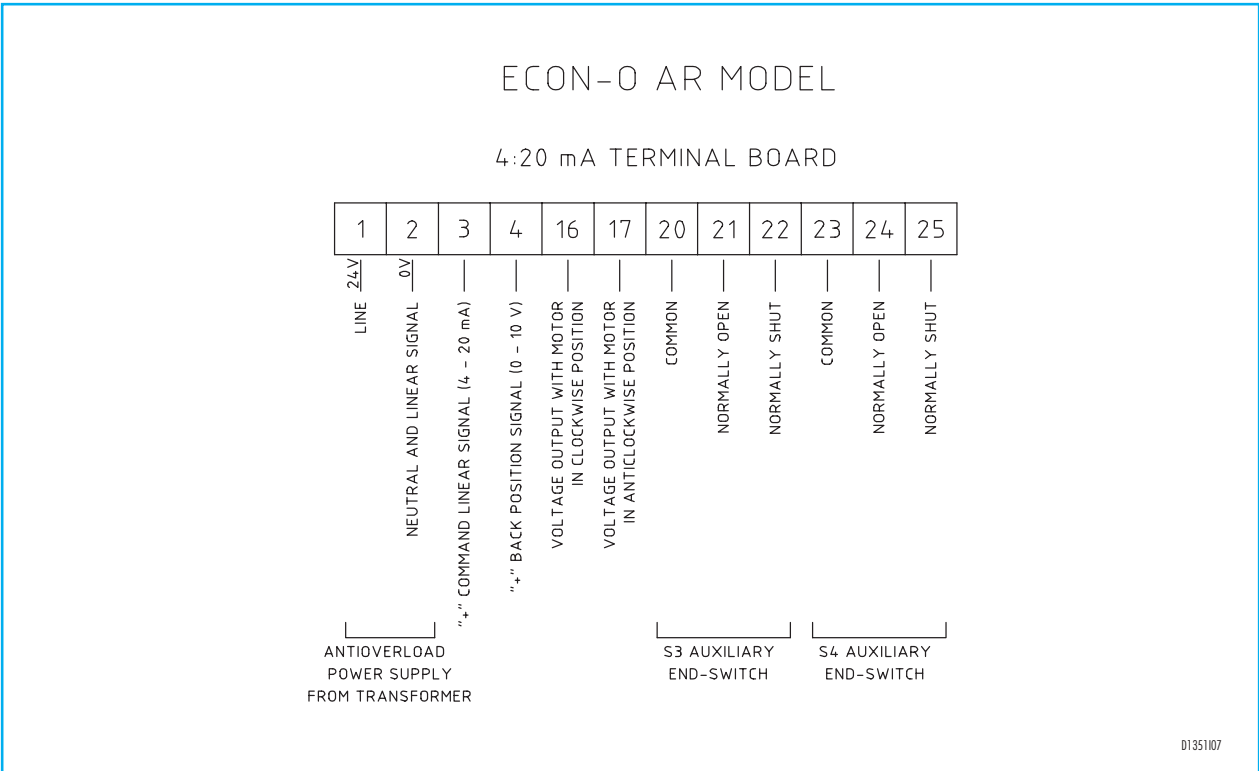
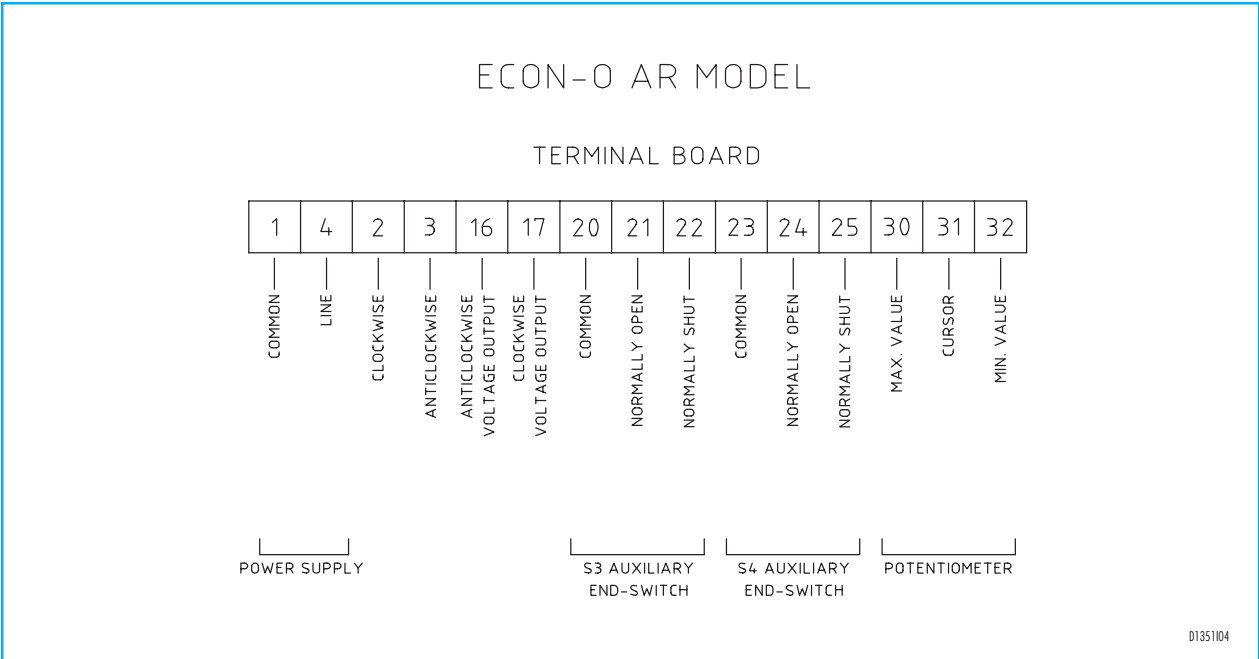
Catalog no.	Pipe size	DN	A dia.	B dia.	C mm	D mm	E mm	F mm	G mm	H mm	L1 deg.	L2 deg.	J mm	Mass kg
16 WBV-CMAP	2"	50	90	125	25	90	120	135	150	130	45	45	180	4.5
20 WBV-CMAP	2.1/2"	60	120	145	25	105	135	160	150	130	45	45	180	5.0
24 WBV-CMAP	3"	80	120	160	25	105	135	160	150	130	45	45	180	6.0
32 WBV-CMAP	4"	100	140	180	30	125	160	175	260	187	45	45	250	7.2
40 WBV-CMAP	5"	125	165	210	33	150	185	200	260	187	67.5	12.5	250	8.1
48 WBV-CMAP	6"	150	195	240	33	145	180	195	260	187	67.5	12.5	250	8.4
56 WBV-CMAP	7"	175	220	270	33	158	195	210	260	187	67.5	12.5	250	8.4
64 WBV-CMAP	8"	200	250	295	40	180	225	240	260	187	67.5	12.5	250	11.6
80 WBV-CMAP	10"	250	300	350	45	205	245	260	260	187	75	105	250	14.9
96 WBV-CMAP	12"	300	360	400	47	240	275	295	260	187	75	102	250	15.0
112 WBV-CMAP	14"	350	410	460	55	265	300	320	260	300	105	75	380	—
128 WBV-CMAP	16"	400	460	515	55	295	335	350	260	300	101.25	78.75	380	—

M*** = Or dependant on servocontrol dimensions

DIMENSIONS (ECON-O)



ELECTRICAL CONNECTIONS



NOTE: Based on the company's policy aimed at a continuous improvement on product quality, ESA-PYRONICS reserves the right to bring changes to the technical characteristics of this device without previous notice. Our catalog updated to the latest version is available on our web site www.esapyronics.com and it is possible to download modified documents

WARNING: When operating, this combustion system can be dangerous and cause harm to persons or damage to equipment. Every burner must be provided with a protection device that monitors the combustion. The installation, adjustment and maintenance operations should only be performed by trained and qualified personnel.