

BUTTERFLY VALVE THREADED TBV SERIES

FEATURES

- | | |
|----------------------------|---------------|
| • Valve body: | AVP |
| • Valve seat: | cast iron AVP |
| • Seat disc: | AVP |
| • Butterfly valve stem: | brass |
| • Handwheel: | aluminium |
| • "O" ring seal. | |
| • Max. operating pressure: | 1.7 bar |
| • Max. fluid temperature: | 100°C |



F131101

APPLICATIONS

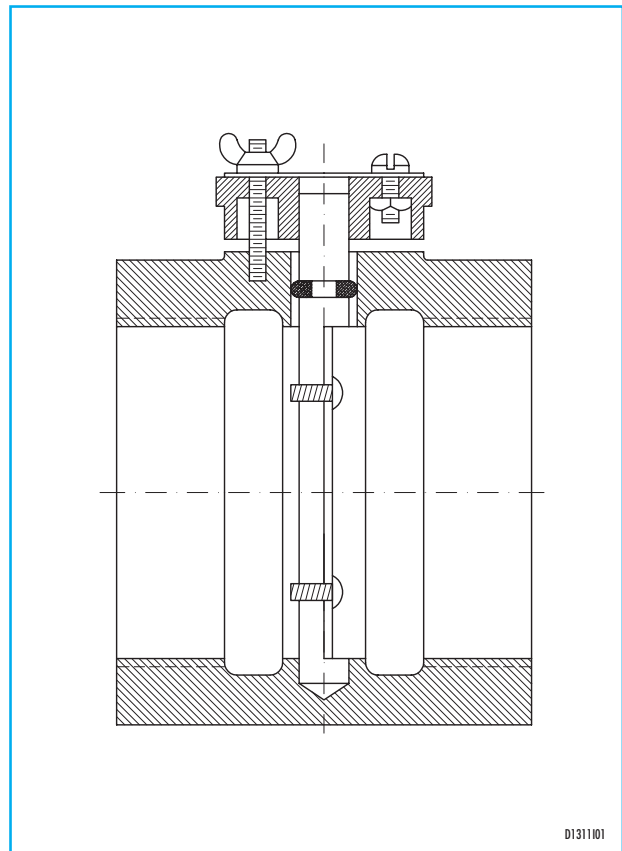
- Manual gas/air valve.
- Non sealing.

DESCRIPTION AND OPERATING INSTRUCTIONS

Model TBV manual threaded butterfly valves are designed to control the flow of air or gas. The handle with pointer indicates OPEN-SHUT position. Two limit stops guarantee the calibration of the minimum-maximum capacity and the athermic packing of the shaft guarantees safe conditions for the staff.

INSTALLATION

- Butterfly valve may be mounted in any plane (Note: Adhere to Mod. Motor manufacturers operating instructions on electrical versions).
- It is recommended that the butterfly valve is mounted down stream of any measuring device.
- If the valve is electrically controlled respect the maximum pressure limits.
- Flanged design makes installation easier.
- Robust design ensures extended operation in extreme conditions.



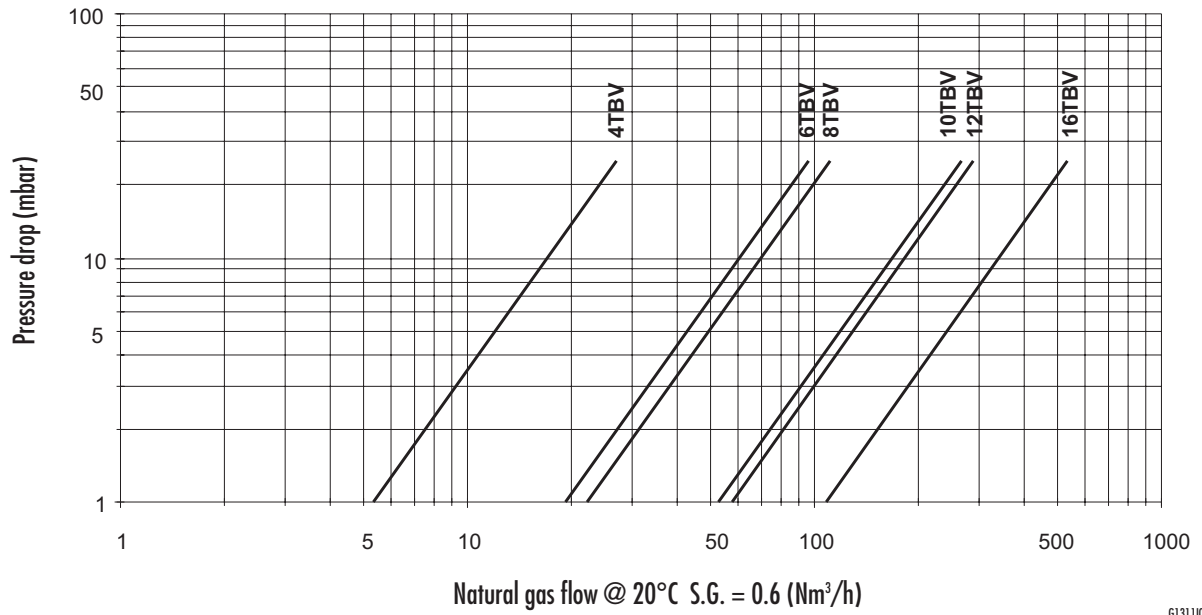
D131101



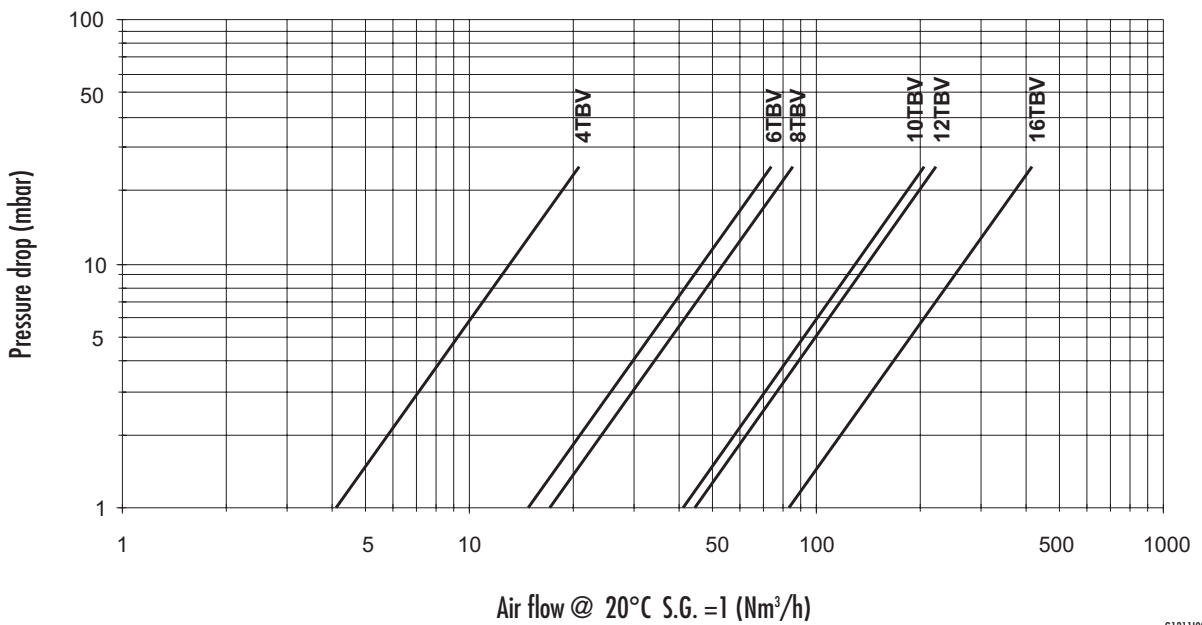
Headquarters
Esa S.r.l.
Via E. Fermi 40 I-24035 Curno (BG) - Italy
Tel. +39.035.6227411 - Fax +39.035.6227499
esa@esacombustion.it - www.esapyronics.com

International Sales
Pyronics International S.A./N.V.
Zoning Ind., 4ème rue B-6040 Jumet - Belgium
Tel +32.71.256970 - Fax +32.71.256979
marketing@pyronics.be

CAPACITY TABLE

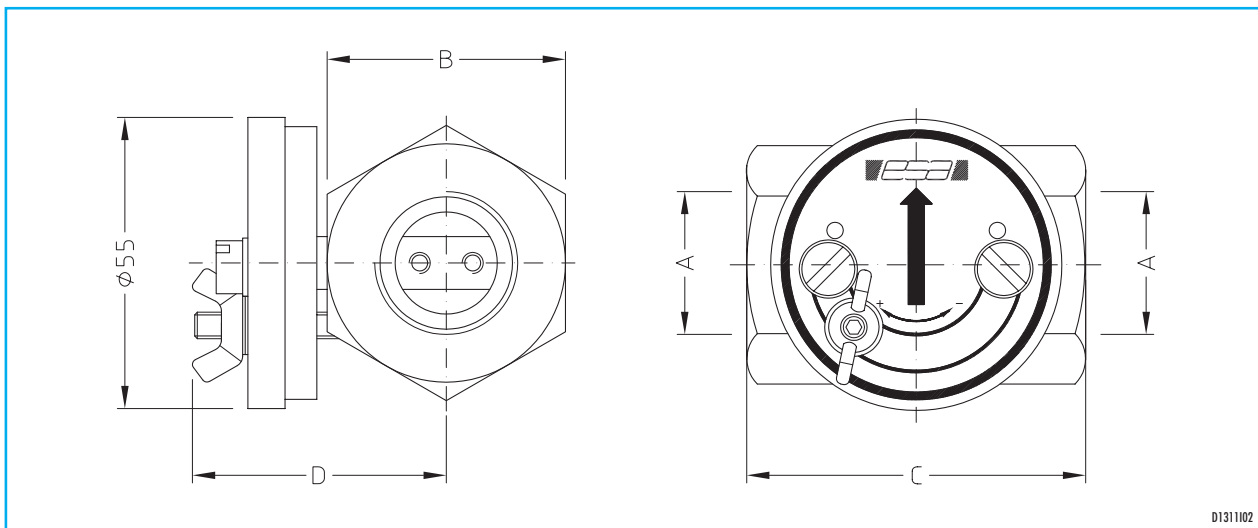


6131101



6131102

DIMENSIONS



D131102

Catalog no.	A	B mm	C mm	D mm	Mass kg
4 TBV	G - 1/2"	45	64	50	0.80
6 TBV	G - 3/4"	45	64	50	0.65
8 TBV	G - 1"	55	68	53	1.05
10 TBV	G - 1.1/4"	60	64	56	1.00
12 TBV	G - 1.1/2"	65	67	56	1.20
16 TBV	G - 2"	76	76	66	1.50